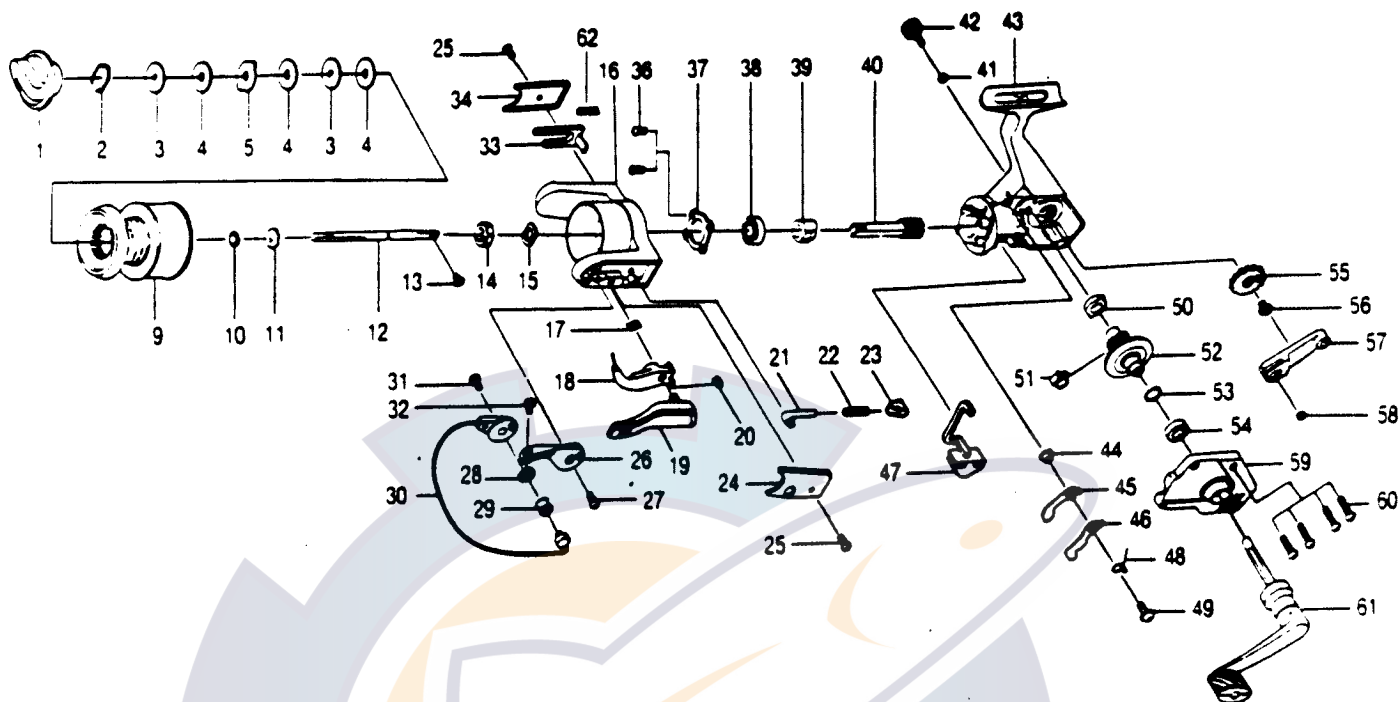


QUANTUM[®] SLX5



**KEY PART
NO. NO.**

NO. NO.	DESCRIPTION	PRICE
1 HQ332	DRAG KNOB ASSY.	2.25
2 CQ038	DRAG RETAINER	1.05
3 CQ050	SPOOL WASHER 'C'	.62
4 CQ033	SPOOL WASHER 'A'	.62
5 CQ029	SPOOL WASHER 'B'	.62
9 HQ321	SPOOL ASSY.	8.25
10 CQ030	SPOOL ADJ. WASHER	.55
11 CQ037	SPOOL CLICK CLAM	1.15
12 CQ015	MAIN SHAFT	3.10
13 CQ100	MAIN SHAFT SCREW	.75
14 UL006	ROTOR NUT	1.03
15 UL065	ROTOR RETAINER WASHER	.67
16 HQ009	ROTOR	3.85
17 NL096	TRIP LINE SPRING	.67
18 PL097	TRIP LINE	1.20
19 CQ115	TRIP LEVER	2.25
20 NL034	E-CLIP	.67
21 QL031	SPRING SHAFT	.62
22 QL022	BAIL SPRING	.62
23 QL020	SPRING HOLDER	.52
24 HQ087	BAIL SPRING COVER	.62
25 AQ085	ROTOR COVER SCREW	.67
26 CQ007	ARM LEVER	1.25
27 AQ051	ARM LEVER SCREW	.62
28 PL017	BAIL COLLAR	1.20
29 PL004	LINE ROLLER	2.05
30 CQ347	BAIL ASSY.	6.50
31 AQ044	BAIL HOLDER SCREW	.62
32 AQ108	BAIL SCREW	.62
33 CQ019	KICK LEVER	1.45

**KEY PART
NO. NO.**

NO. NO.	DESCRIPTION	PRICE
34 HQ024	KICK LEVER COVER	.62
36 AQ080	BEARING PLATE SCREW	.62
37 QL040	BEARING PLATE	.57
38 CQ028	B/BEARING - ROTOR	7.75
39 CQ060	RATCHET GEAR	2.45
40 CQ011	PINION GEAR	6.25
41 BQ105	HANDLE CAP WASHER	.52
42 QL073	HANDLE SCREW CAP	1.35
43 HQ001	BODY	6.45
44 NL091	STOPPER BUSHING	.57
45 QL064	STOPPER 'A'	1.05
46 QL063	STOPPER 'B'	1.15
47 CQ059	STOPPER LEVER	.57
48 CQ061	STOPPER L/R SPRING	.57
49 CQ063	STOPPER SCREW	.62
50 CQ013	BODY BUSHING	.62
51 CQ086	SLIDING SPRING	.62
52 CQ012	DRIVE GEAR	2.25
53 AQ026	DRIVE GEAR ADJ. WASHER	.52
54 AL013	BODY BUSHING	.62
55 CQ083	BODY BEARING - ROTOR	1.05
56 HQ078	OSC. GEAR SCREW	1.39
57 CQ025	O/S PIVOT ARM	1.50
58 AQ056	O/S PIVOT ARM WASHER	.52
59 HQ023	BODY COVER	3.30
60 AQ067	BODY COVER SCREW	.62
61 QL318	HANDLE ASSY.	7.73
62 YED49	KICK LEVER SPRING	.97

Prices subject to change without notice. Prices do not include postage and handling.

PLEASE ORDER BY PART NUMBER

Rev. 11/90

Zebco Division Brunswick Corporation, Box 270, Tulsa, OK 74101 USA 918-636-6661

